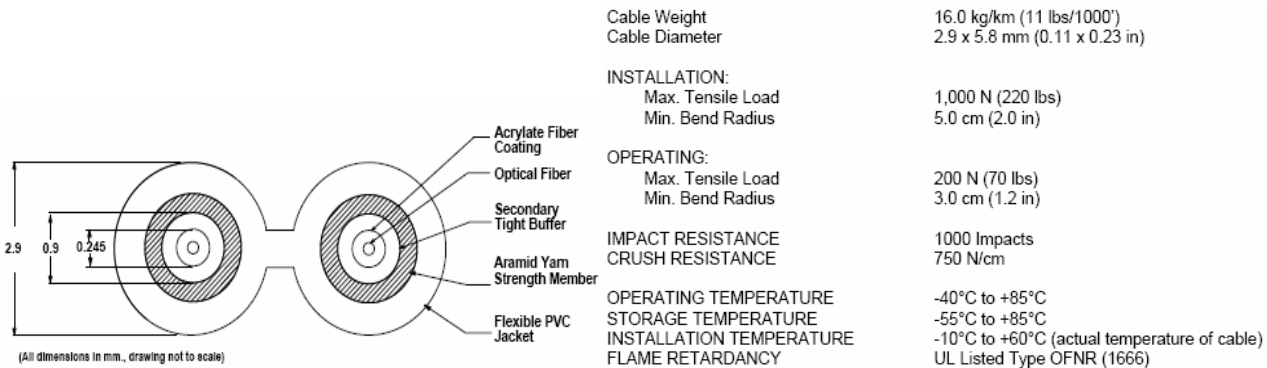
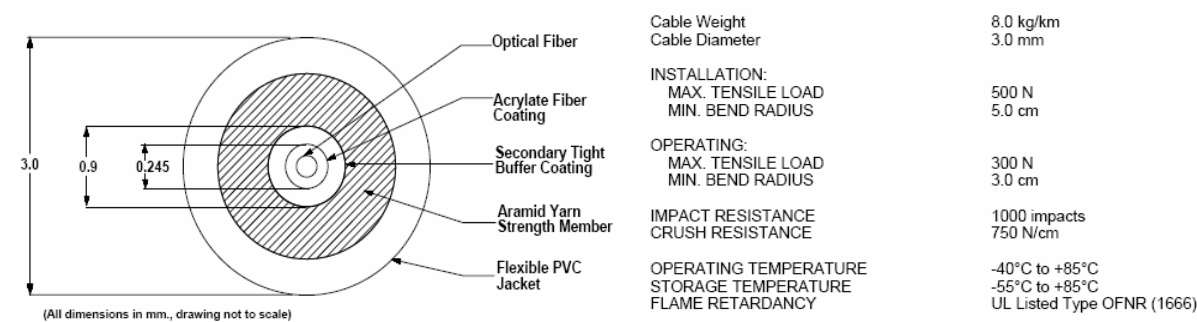


FiberTechniques Inc Simplex and Duplex Zipcord Assembly Riser Cables

FiberTechniques can provide fiber optic jumpers and pigtails with these high quality simplex and zipcord (2 fiber) Riser rated cables. Any simplex or duplex-able connector can be installed on these cables. Made to the customer specifications each and every time. Do not settle for off the shelf! Standard color jacket cables are always available from stock. Custom bulk cable can be manufactured with special jacket color, print, or large core fiber. Jumpers have been made from kilometers long for special test applications to a mere 6". Extra care is taken to ensure cable pullout will not occur in use. Jumpers are 100% tested on all orders.

The cable, flame retardant for indoor use, is very flexible and typically used to interconnect between wiring closets and cabinets. Pigtails can be spliced on to the customer's installed trunk cables. Typical cable diameters are shown. Small form factor versions at 1.6mm and 2.0mm are also available.



Fiber types available are singlemode, 50/125um, 50/125um 10Gig, 62.5/125um. Also available but stock status may vary 100/140um and 200/240. Check the fiber data sheet for fiber specifications and connector data sheets for connectors required on your assemblies.

